

Torflex Axle Order Form

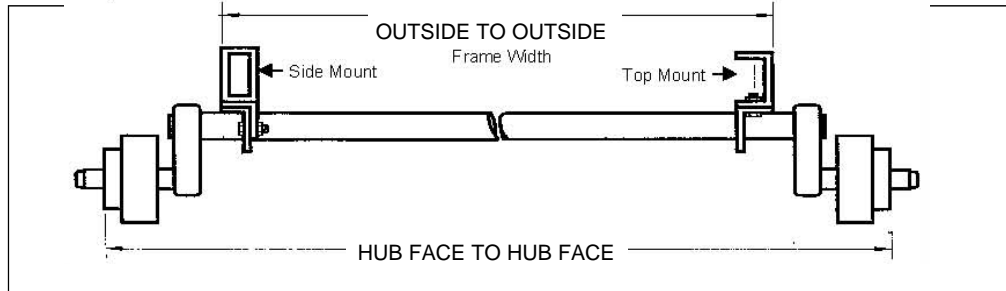
Freight: FOB Mpls

Please complete the form, sign, and fax to 612-331-4159 to order the axle. Special orders are non-returnable.

Quantity: _____ Capacity: _____ Axle Serial Number: _____

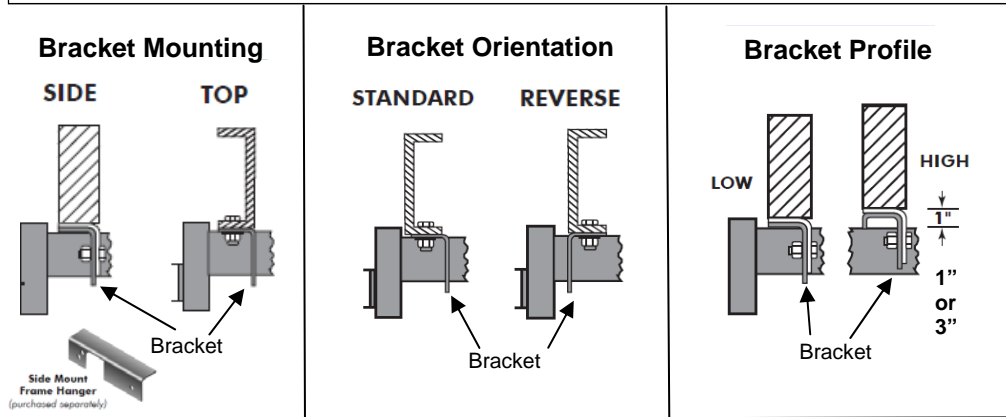
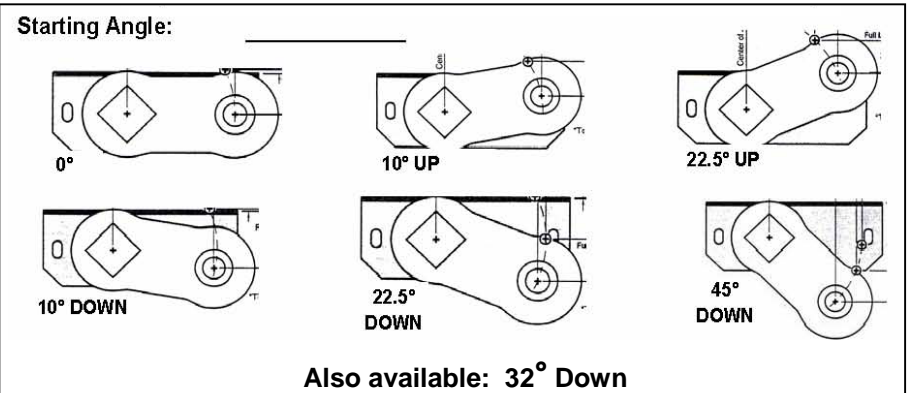
Frame to Frame: _____ Hub Face: _____

Track: _____ (If duals are used)



Single Tandem Triple (circle one)

Tire Size: _____ IE. 225/80R15



Date: _____ Account # _____

Account Name: _____

Address: _____

City: _____

State: _____ Zip: _____

Contact Person: _____

Email Address: _____

Phone #: _____ Fax #: _____

I verify that the axles indicated above are correct, that Dexter is allowed a 1/4" plus or minus tolerance on these measurements, that all upgrades I need are listed above, that non-refundable deposits may be required or forfeited if axles are not picked up in 30 days and that axles are not returnable.

Signature: _____

Hub Type: Grease Oil Bath EZ Lube™ Nev-R-Lube™ (circle one)

Brake Type: Electric: (circle one) Nev-R-Adjust™ Manual Adj Disc
 Hydraulic: (circle one) Duo-Servo Uni-Servo (surge) Disc
 Idler

Wheel Bolt Pattern: _____ Stud Size: 1/2 - 9/16 - 5/8 (circle one)

Attaching Kit: Top Mount Side Mount (circle one)

Special Features: _____
 (other than above) _____

MADISON WAREHOUSE
 1206 Femrite Dr. • Madison, WI 53716
 (608) 222-4545
 To Call Madison Toll Free
 800-999-3394
 Fax 608-222-8843

MINNEAPOLIS WAREHOUSE
 2500 Kennedy St. N.E. • Mpls., MN 55413
 (612) 331-1311
 To Call Minneapolis Toll Free
 800-888-1358
 Fax 612-331-4159

FARGO WAREHOUSE
 3453 7th Ave N.W. • Fargo, ND 58102
 (701) 476-0600
 To Call Fargo Toll Free
 800-666-1670
 Fax 701-476-0683

 Salesperson

 Salesperson

 Salesperson

Return to: **PIONEER RIM & WHEEL CO**